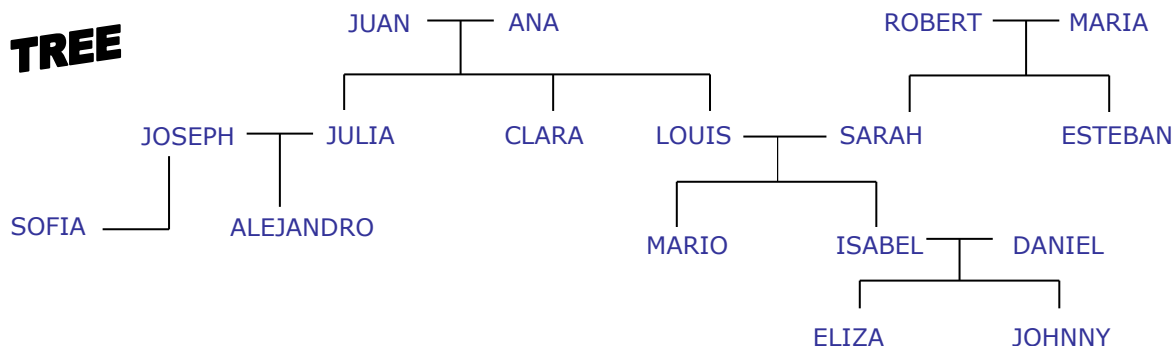


FAMILY TREE



Observe the family tree above and complete the sentences with the correct names:

1. _____ is Juan's **wife**.
2. _____ is Ana's **husband**.
3. _____ is Julia, Clara and Louis's **father**.
4. _____ is Julia, Clara and Louis's **mother**.
5. _____ are Julia, Clara and Louis's **parents**.
6. _____ are Juan's **daughters**.
7. _____ is Juan's **son**.
8. _____ are Juan's **children**.
9. _____ are Juan's **grandsons**.
10. _____ is Juan's **granddaughter**.
11. _____ are Juan's **grandchildren**.
12. _____ is Alejandro's **grandfather**.
13. _____ is Alejandro's **grandmother**.
14. _____ is Clara's **brother**.
15. _____ is Clara's **sister**.
16. _____ are Clara's **siblings**.
17. _____ are Clara's **nephews**.
18. _____ is Clara's **niece**.
19. _____ is Alejandro's **aunt**.
20. _____ is Alejandro's **uncle**.
21. _____ is Robert's **son in-law**.
22. _____ is Louis's **father in-law**.
23. _____ is Louis's **mother in-law**.
24. _____ is Clara's **sister in-law**.
25. _____ is Clara's **brother in-law**.
26. _____ is Juan's **great-granddaughter**.
27. _____ is Juan's **great-grandson**.
28. _____ are Johnny's **great-grandfathers**.
29. _____ are Johnny's **great-grandmothers**.
30. _____ is Alejandro's **half-sister**.
31. _____ are Alejandro's **cousins**.